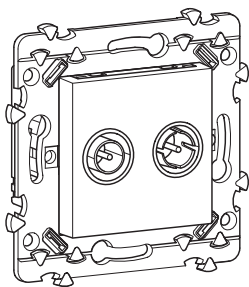


- (FR) Prises TV / FM / SAT
- (EN) Contacts TV / FM / SAT
- (NL) Aansluitpunt TV / FM / SAT

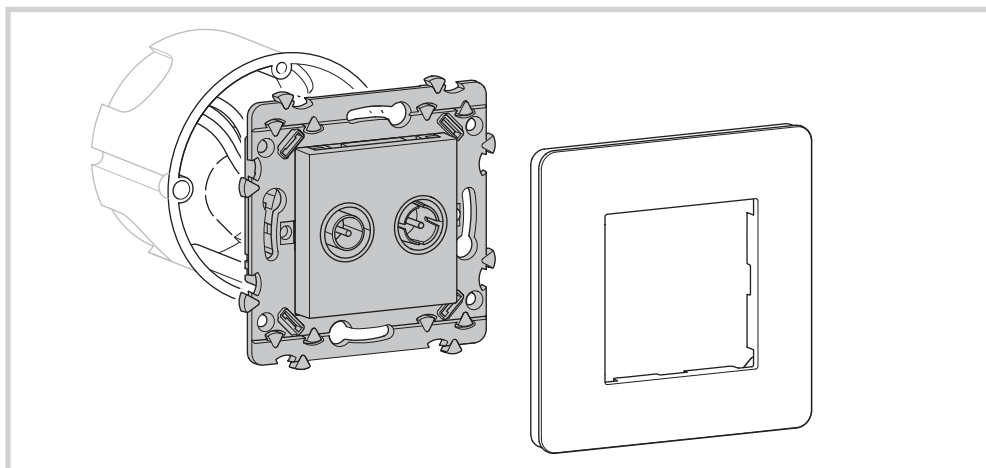


6W5304.c

## WE250...WE259

### essensya

#### Montage



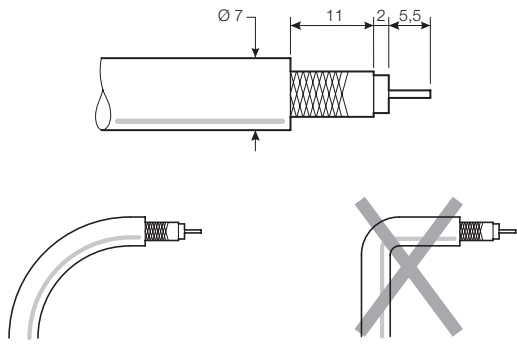
#### Caractéristiques techniques / Technical characteristics / Technische gegevens

Impédance Impedance Impedantie	75 Ω
Raccordement / Electrical connection / Aansluiting	
TV Mâle Male Mannelijk	Ø 9,52 mm
FM Femelle Female Vrouwelijk	Ø 9,52 mm
SAT	Type "F"
Normes Standards Normen	NF EN 50083 UTE 90123 UTE 90125

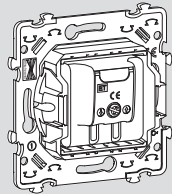
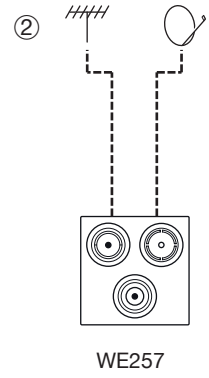
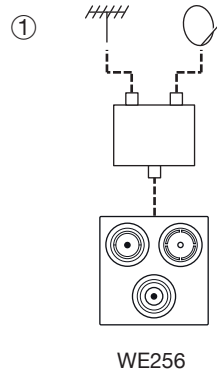
#### Domaines d'application Field of application Toepassingsgebieden

				500 mA	Back voice	Band 1	FM	VHF	UHF	SAT
				mA	MHz	MHz	MHz	MHz	MHz	MHz
	WE250 WE250G	Prise directe Direct socket Rechtstreeks contact	< 1 dB			TV	FM	TV		SAT
	WE253 WE253G	Prise directe Direct socket Rechtstreeks contact	< 1 dB			TV	FM	TV		X
TV+FM+SAT	WE256	Prise 1 entrée Socket 1 input Contact 1 ingang		500 mA		TV	FM	TV		SAT
	WE257	Prise 2 entrées Socket 2 inputs Contact 2 ingangen		500 mA		TV	FM	TV		SAT
	WE258	Prise directe double type F Double direct socket type F Doppelt Enddose Typ F	< 4 dB	500 mA		TV	FM	TV		SAT
	WE259	Prise directe type F Direct socket type F Rechtstreeks contact Type F	< 1 dB	500 mA		TV	FM	TV		SAT

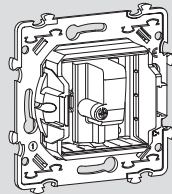
Coaxial / Coaxiaal



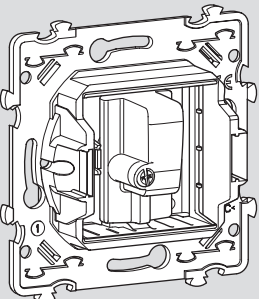
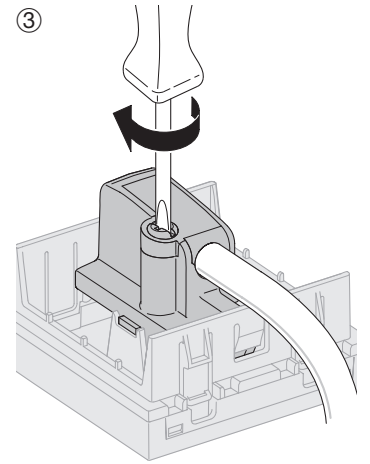
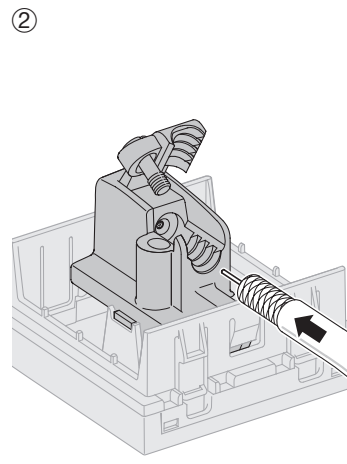
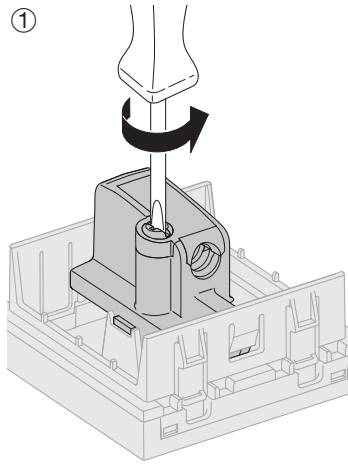
TV + FM + SAT



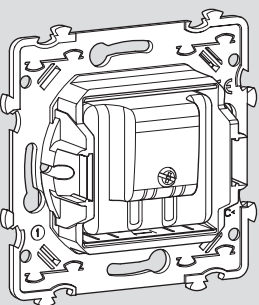
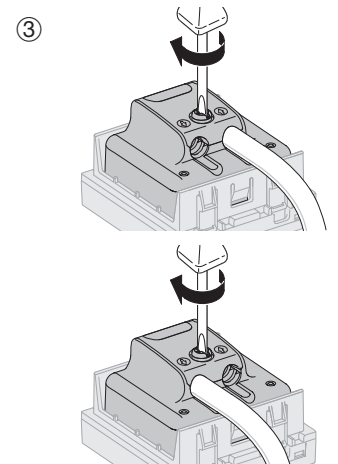
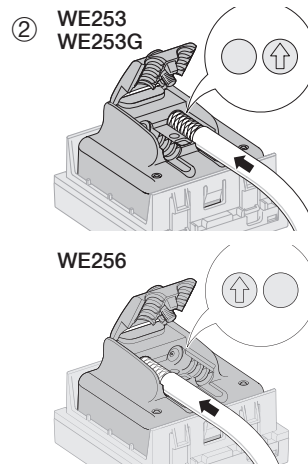
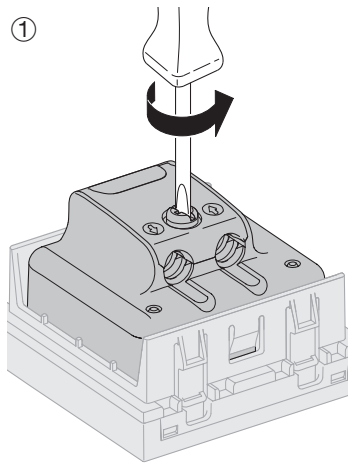
WE258



WE250 / WE250G  
WE259



WE253 / WE253G  
WE256



WE257

