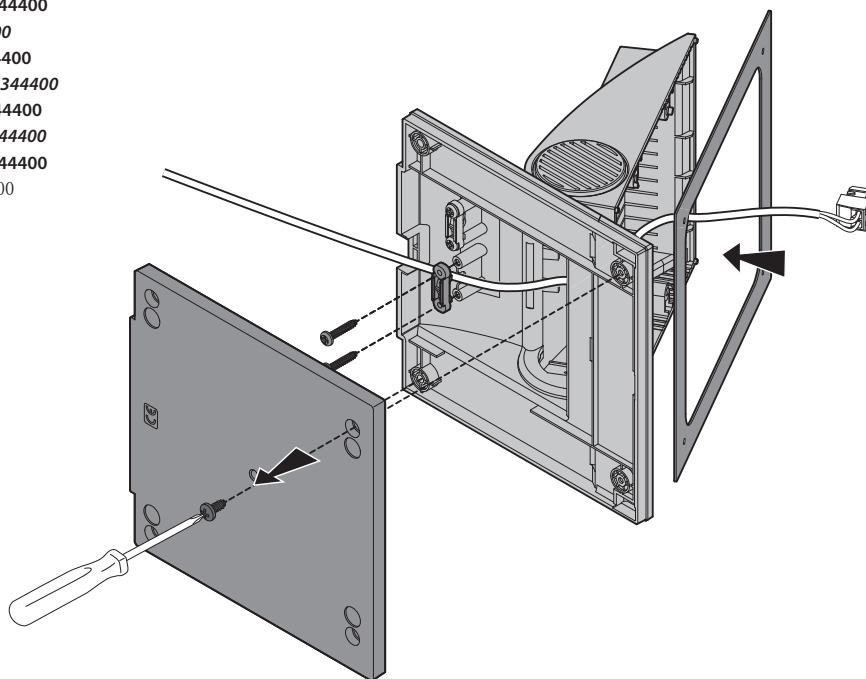
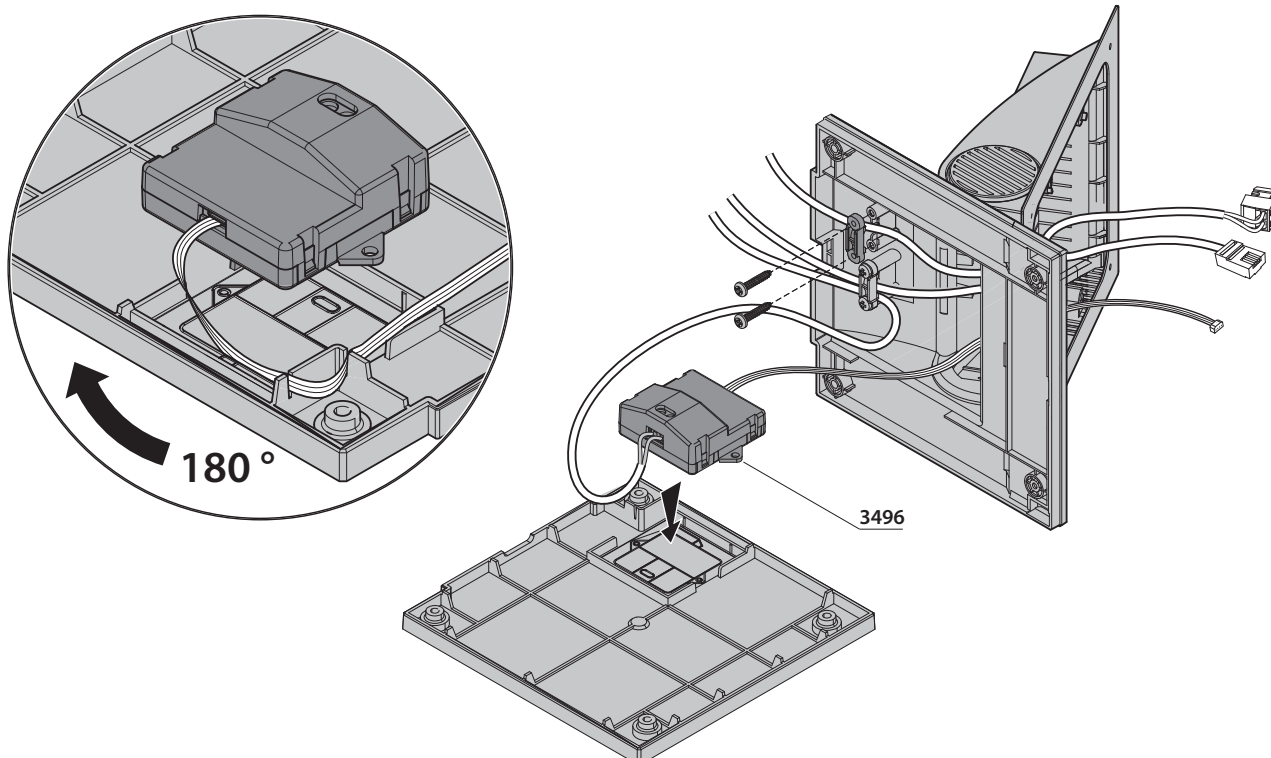
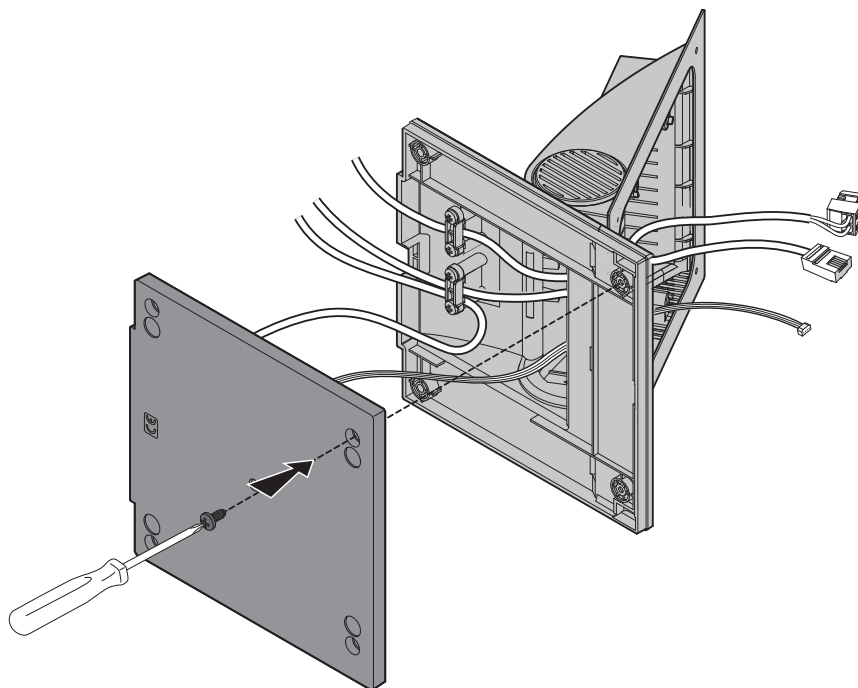


- Cablaggio 349311/12/13; 344400
- Wiring 349311/12/13; 344400
- Câblage 349311/12/13; 344400
- Verkabelung 349311/12/13; 344400
- Cableado 349311/12/13; 344400
- Bekabeling 349311/12/13; 344400
- Cablagem 349311/12/13; 344400
- 布线 349311/12/13; 344400

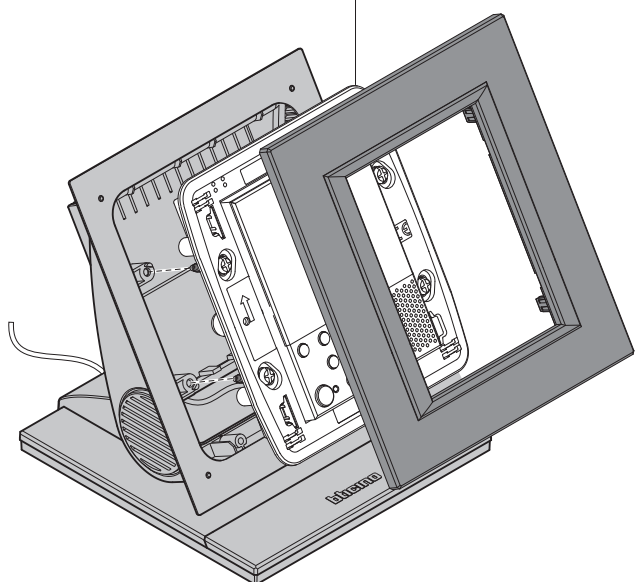


- Cablaggio H/LN/AM4890
- Wiring H/LN/AM4890
- Câblage H/LN/AM4890
- Verkabelung H/LN/AM4890
- Cableado H/LN/AM4890
- Bekabeling H/LN/AM4890
- Cablagem H/LN/AM4890
- 布线 H/LN/AM4890

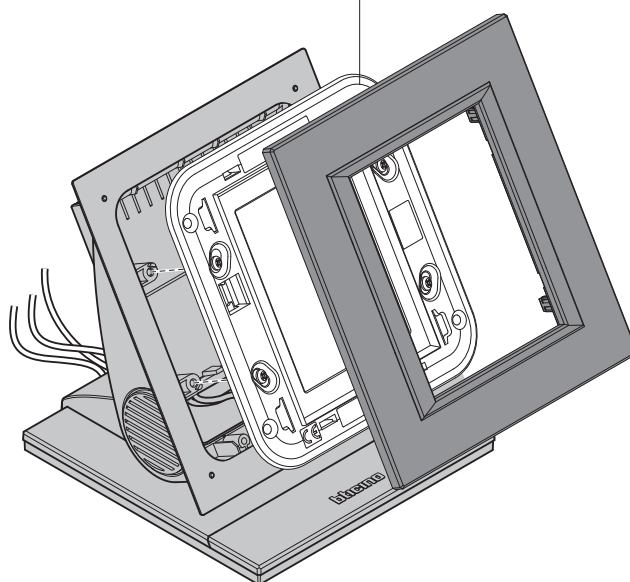




349311
349312
349313
344400



H/LN/AM4890



- Completare con placche HA4826... o in alternativa LNA4826...
- To be completed with HA4826 cover plates... or alternatively, LNA4826...
- Compléter avec plaques HA4826... ou, comme alternative LNA4826...
- Installation entweder mit den Platten HA4826... oder LNA4826... beenden
- Complete con placas HA4826... o sino LNA4826...
- Volttoeien met platen HA4826... of in alternatief LNA4826...
- Completar com placas HA4826... ou alternativamente LNA4826...
- 完成时使用HA4826盖板...或使用LNA4826盖板...